



www.chengmao.com.tw

SPRING BALANCER
HOSE BALANCER

彈簧吊車
風管吊車



SB-K 系列 SB-K Series

SEALS 螺旋式彈簧吊車是一系列經濟實惠，符合人體工學的工具懸吊設備，使作業人員工作更輕鬆、更安全、更有效率。另外，同時使工作場合更加整齊，並保護工具免於碰撞及掉落。

In the design, the "SEALS Spiral Spring Balancer" is a cost-efficient tool suspending equipment meeting the ergonomic requirement which allows the operator to perform the work in an easier, safer and more efficient way. In addition, it maintains the working site orderly and prevents the tool from colliding and falling.

優點 Advantages

省力化

採螺旋式設計，螺徑由小到大，與彈簧由弱轉強的拉力相衡下，平衡輸出拉力，從而提供一致的吊力，讓使用者毫不費力的作業。使工具可停留在任何高度並保持靜止狀況，並使使用者在不負擔任何工具重量下作業。避免長期拿取工具重物作業，所產生肌肉緊繃及疲勞。

Labor Saving: It is designed in spiral type by arranging small-to-big spiral diameters. With the checking force of weak-to-strong spring tension, it outputs the tension in a balanced manner to provide consistent suspension force that allows the operator to carry out the operation without burden. Further, it also lets the tool pause at any height and maintains at still status. In this way, the user can perform the operation without sustaining any tool load; thus, avoiding tense muscle and fatigue resulting from long-term holding of tools and heavy objects.

有生產力

使用者可輕易地將工具拉到哪、停到哪。停在容易取用工具的地方，讓工作更加順暢及有效率。

Productive: The user can easily drag the tool to where he wants and stop at easier access position to achieve smoother and more efficient operation.

有效率的

讓工具可隨時上手，不用因同時要取用工作物品，而將工具放下再取用，所產生的時間浪費及力氣消耗。

Efficient: The operator can handle the tool easily; thus, avoiding wasting time and consuming labor by lowering the tool and picking it again when taking the object at the same time.

經濟性

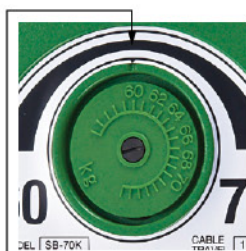
堅固的機構設計使產品更加耐用，讓維護成本更為低廉。並且使懸吊工具因碰撞及掉落而造成損失的機率大為降低。

Cost-efficient: Rigid mechanism design makes the product more durable while bringing down the maintenance cost. In this way, it can significantly minimize the loss probability due to the colliding and falling of the suspended tool.

特色 Features

- 提供0.5公斤到120公斤吊重，共十五種不同吊重範圍可供選用。
It provides 0.5kg to 120kg of lifting load, and a number of 15 different load ranges are provided for option.
- 安裝吊勾可360度旋轉。
When mounted with Install Hook, it can perform 360-degree revolving.
- 鋁鑄造外殼 (除SB-1.5K採塑膠外殼)。
Aluminum casting housing (Besides SB-1.5K is plastic house).
- 配備防墜鋼索安裝孔 (務必安裝，以避免原安裝處失效)。
It is provided with anti-falling steel wire installation hole (it must be installed to avoid the failure of the original mounting location).
- 快速安裝。
Fast in installation.
- 封閉式吊勾。
Closed type of Lifting Hook and Install Hook.
- 配備剎車裝置，以防止彈簧斷裂時，造成工具墜落傷人。(配備於 SB-9K, SB-15K, SB-22K, SB-30K, SB-40K, SB-50K, SB-60K, SB-70K, SB-90K, SB-105K, SB-120K)
Tool anti-falling device is provided in case of the spring breaking (only for SB-9K, SB-15K, SB-22K, SB-30K, SB-40K, SB-50K, SB-60K, SB-70K, SB-90K, SB-105K, SB-120K).
- 耐用性彈簧。
Durable spring.

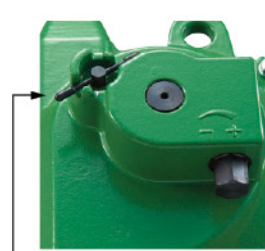
CE certificate



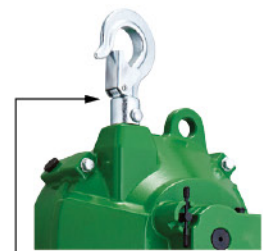
Tension Indicator
吊力刻度表



Tension Adjust
by Worm Gear
蝸桿設計



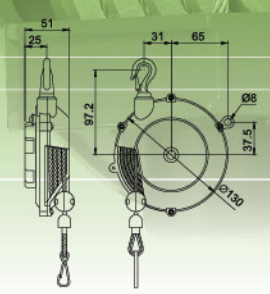
Lock Spring Drum Position
鎖住螺旋座位置



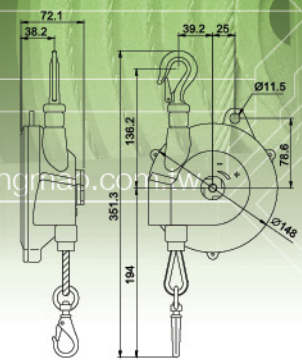
360° Swivel Hanger
360°旋轉(上吊勾)



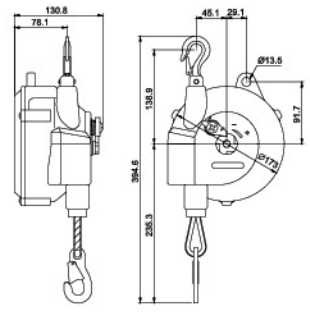
SB-1.5K



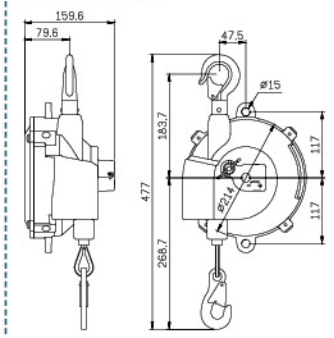
SB-3K/5K
SB-7K(S)



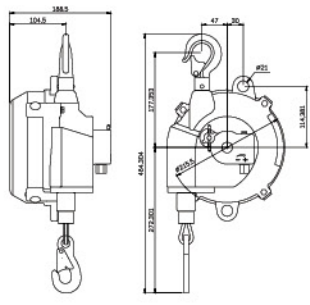
SB-9K/15K



SB-22K/30K



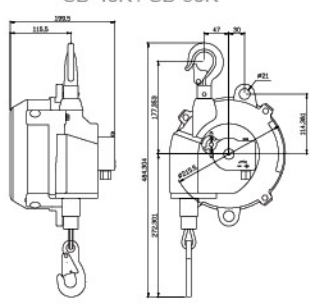
SB-40K/50K
SB-60K/70K



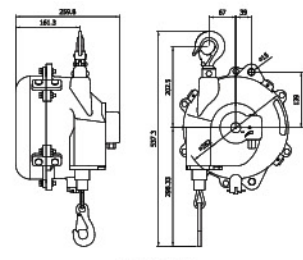
SB-40K / SB-50K



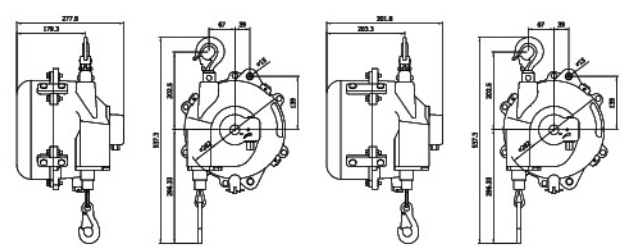
SB-90K



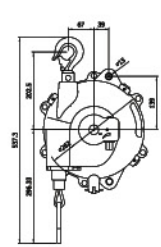
SB-60K / SB-70K



SB-90K



SB-105K



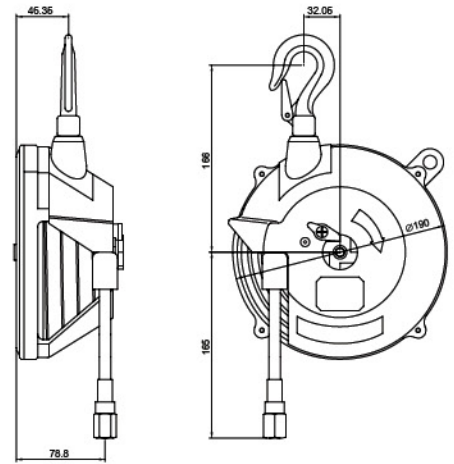
SB-120K

型號 Model	荷重 Capacity	淨重 Weight	揚長 Travel	繩索 Rope option	繩索線徑 Rope Dia(mm)	數量 Q'ty(Ctn)	毛重 G.W./Ctn	材積 Cuft(C'tn)
SB-1.5K	0.5-1.5 kg	0.73 kg	1.3 m	Cable	2.0 mm	20 pcs	14.5 kg	1.9
SB-3K	1.5-3 kg	1.73 kg	1.3 m	Cable	3.2 mm	10 pcs	19.5 kg	1.7
SB-5K	3-5 kg	1.82 kg	1.3 m	Cable	3.2 mm	10 pcs	20 kg	1.7
SB-7K(S)	5-7 kg	1.85 kg	1.3 m	Cable	3.2 mm	10 pcs	21 kg	1.7
SB-9K	5-9 kg	3.59 kg	1.3 m	Cable	4.0 mm	4 pcs	16 kg	1.9
SB-15K	9-15 kg	3.61 kg	1.3 m	Cable	4.0 mm	4 pcs	16 kg	1.9
SB-22K	15-22 kg	7.70 kg	1.5 m	Cable	4.8 mm	2 pcs	17.5 kg	1.7
SB-30K	22-30 kg	8.30 kg	1.5 m	Cable	4.8 mm	2 pcs	19.5 kg	1.7
SB-40K	30-40 kg	9.70 kg	1.5 m	Cable	4.8 mm	1 pcs	11.0 kg	0.9
SB-50K	40-50 kg	10.1 kg	1.5 m	Cable	4.8 mm	1 pcs	11.4 kg	0.9
SB-60K	50-60 kg	11.1 kg	1.5 m	Cable	4.8 mm	1 pcs	12.4 kg	0.9
SB-70K	60-70 kg	11.4 kg	1.5 m	Cable	4.8 mm	1 pcs	12.7 kg	0.9
SB-90K	70-90 kg	22.2 kg	2 m	Cable	4.8 mm	1 pcs	25.4 kg	2.1
SB-105K	90-105 kg	23.75 kg	2 m	Cable	4.8 mm	1 pcs	27.0 kg	2.1
SB-120K	105-120 kg	27.4 kg	2 m	Cable	4.8 mm	1 pcs	30.6 kg	2.1

TAB 系列 TAB Series

特色 Features

- 使用於氣動工具，結合風管捲筒及彈簧吊車，讓生產線上整齊不零亂，提高工作效率。
Especially for suspending pneumatic tool. By combining with Hose Reel and Spring Balancer, it achieves neat and orderly production line for enhancing the working efficiency.
- 安裝快速簡易，掛吊可360度旋轉。且配備防墜鋼索安裝孔，請務必安裝，以避免原安裝處失效。
The installation is fast and convenient with 360 degrees install hook. In addition, anti-falling steel wire mounting holes are provided, which must be installed to avoid the failure of the original mounting location.
- 採用塑膠外殼，美觀易清潔，並採用光面包紗風管，下拉收回順暢無阻礙。並配置圓型橡膠擋柱，可使風管收回時停於固定高度。
Plastic housing is aesthetics and easy cleaning. Smooth braided hose provide easy down-pull stroke. Further, a rubber damper also can stop hose at a fixed height.



TAB-1.5



TAB-3



TAB-5

型號 Model	荷重 Capacity	淨重 Weight	揚長 Travel	風管材質 Hose Material	風管線徑 Hose Dia	數量 Q'ty (Ctn)	毛重 G.W./Ctn	材積 Cuft(C'tn)
TAB-1.5	0.5-1.5 kg	1.8 kg	1.4 m	PU Braided	6.5x10.0 mm	6 pcs	11.7 kg	1.9
TAB-3	1.5-3.0 kg	1.9 kg	1.4 m	PU Braided	6.5x10.0 mm	6 pcs	12.4 kg	1.9
TAB-5	3.0-5.0 kg	2.0 kg	1.4 m	PU Braided	6.5x10.0 mm	6 pcs	13.0 kg	1.9

SB 系列 SB Series

特色 Features

- 經濟實用，體積小，使用旋轉式調整蓋，調整拉力方便不費事。
Cost-efficient, practical and compact. It uses Rotary Adjusting Cover for easier tension adjustment without burden.
- 安裝快速簡易，且配備防墜鋼索安裝孔，請務必安裝，以避免原安裝處失效。
Fast and convenient installation. In addition, anti-falling steel wire mounting holes are provided, which must be installed to avoid the failure of the original mounting location.
- 外殼採防鏽鐵殼，繩索部份有鋼索及尼龍繩兩種選擇，並配置圓型擋球供設定繩索收回固定高度使用。
The housing is made of rustproof iron shell. The steel wires and nylon ropes are available for option. Further, a ball-shape damper also can stop tool at a fixed height in its recover stroke.

小型SB



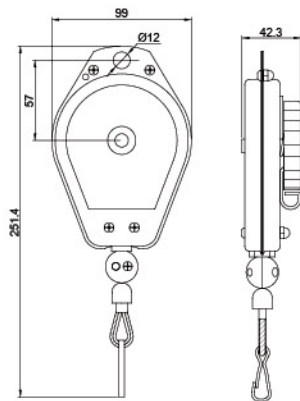
SB-600



SB-1200



SB-2000



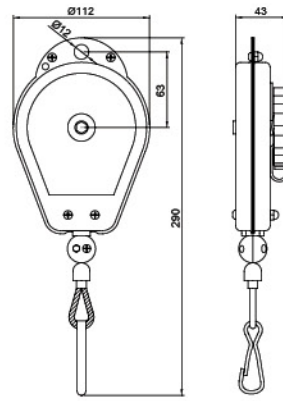
中型SB



SB-3000



SB-5000



調整蓋
Tension Adjust Cap

型號 Model	荷重 Capacity	淨重 Weight	揚長 Travel	繩索 Rope Option	繩索線徑 Rope Dia	數量 Q'ty(Ctn)	毛重 G.W./Ctn	材積 Cuft(C'tn)
SB-600	0.3-0.8 kg	0.49 kg	1.4 m	Nylon/Cable	4 mm / 2.5 mm	40 pcs	20 kg	1.7
SB-1200	0.6-1.5 kg	0.52 kg	1.4 m	Nylon/Cable	4 mm / 2.5 mm	40 pcs	21.7 kg	1.7
SB-2000	1.0-2.0 kg	0.53 kg	1.4 m	Nylon/Cable	4 mm / 2.5 mm	40 pcs	22.4 kg	1.7
SB-3000	1.5-3.0 kg	0.76 kg	1.5 m	Cable	3.2 mm	30 pcs	23.4 kg	1.6
SB-5000	3.0-5.0 kg	0.81 kg	1.5 m	Cable	3.2 mm	30 pcs	24.5 kg	1.6

HSB 系列 HSB Series

特色 Features

- 荷重範圍大、外型美觀、使用旋轉式調整蓋，調整拉力方便不費事。
Wider load range and designed in aesthetic configuration. It uses Rotary Adjusting Cover for easier tension adjustment without burden.
- 安裝快速簡易，且配備防墜鋼索安裝孔，請務必安裝，以避免原安裝處失效。
The installation is fast and convenient. In addition, anti-falling steel wire mounting holes are provided, which must be installed to avoid the failure of the original mounting location.
- 外殼採用防鏽霧銘鐵殼，繩索部份採用尼龍繩，並配置圓型擋球供設定繩索收回固定高度使用。
The housing is made of rustproof fogged chrome-iron, and nylon rope is used. Further, a ball-shape damper also can stop tool at a fixed height in its recover stroke.



型號 Model	荷重 Capacity	淨重 Weight	揚長 Travel	繩索 Rope Option	繩索線徑 Rope Dia	數量 Q'ty(Ctn)	毛重 G.W./Ctn	材積 Cuft(C'tn)
HSB-1	0.3-1.2 kg	0.57 kg	1.6 m	Nylon	4 mm	30 pcs	18.7 kg	1.6
HSB-2	0.8-2.0 kg	0.57 kg	1.6 m	Nylon	4 mm	30 pcs	20.1 kg	1.6

HR 系列 HR Series

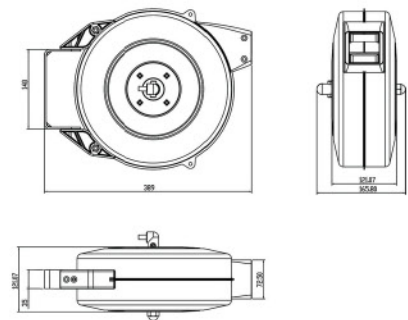
特色 Features

◀ Hose Reel ▶ Retractable

- 採用內徑8mm 包紗風管，適用一般汽修工具。
It adopts 8mm inner dia, PU Braided hose.



HR-10



型號 Model	長度 Hose Length	風管線徑 Hose Dia	風管材質 Hose Material(m)	使用壓力範圍 Max. Pressure	淨重 N.W	數量 Q'ty(Ctn)	毛重 G.W./Ctn	材積 Cuft(C'tn)
HR-10	10 m	8.0x12.0 mm	PU Braided	200 psi	4.9 kg	4 pcs	24.6 kg	4.27



政茂企業有限公司
Chengmao Tools Industrial Co.,Ltd.



台中市烏日區溪南路一段460巷135弄81號
No.81, Alley 135, Lane 460, Sec. 1, Sinan Rd.,
Wurih, Taichung 41464, Taiwan

TEL:886-4-23352741 FAX:886-4-23354408
Http://www.chengmao.com.tw
E-mail:export@chengmao.com.tw

經銷商 Distributor