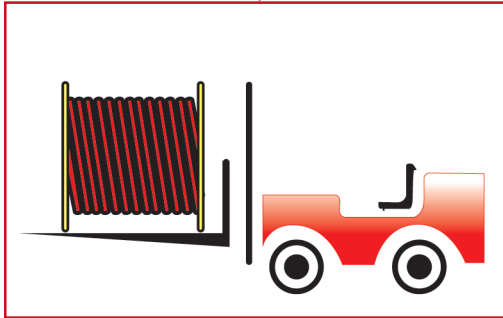




RECOMMENDED HANDLING AND STORAGE PRACTICES

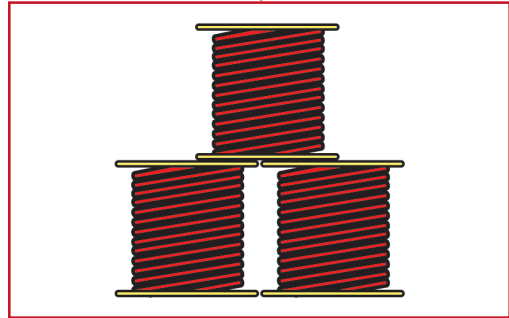
How to Handle Cable Reels

YES

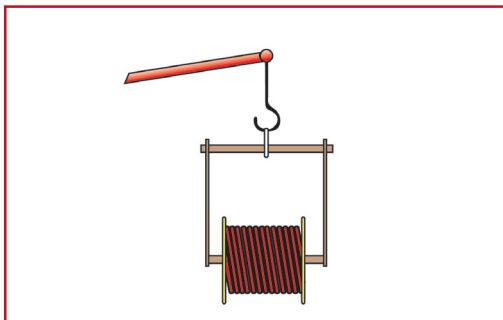


Cradle both reel flanges between forks.

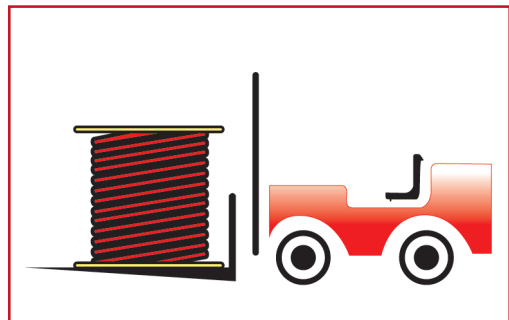
NO



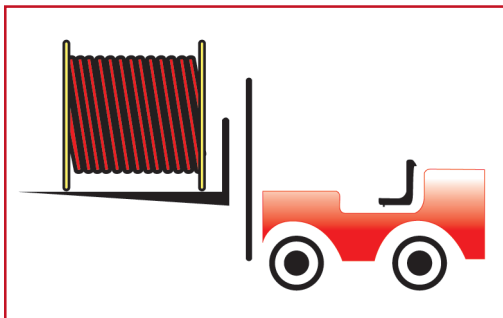
Upended heavy reels will often arrive damaged. Refuse or receive subject to inspection for hidden damage.



Reels can be hoisted with a shaft extending through both flanges.



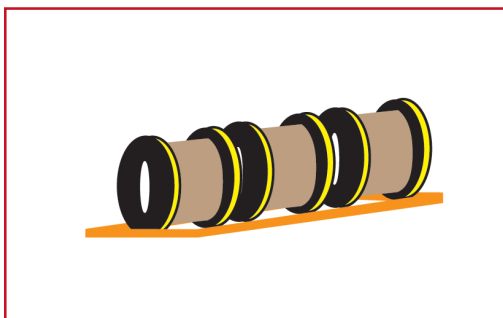
Do not lift by top flange. Cable or reel will be damaged.



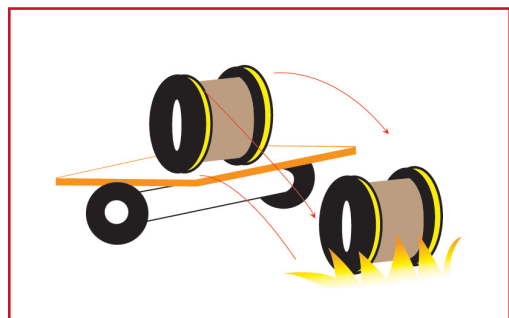
Lower reels from truck using hydraulic gate, hoist or fork lift, LOWER CAREFULLY.



Never allow forks to touch cable surface or reel wrap.



Always load with flanges on edge and chock and block securely.

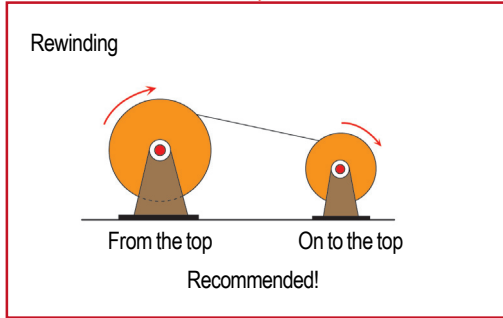


Never drop reels.

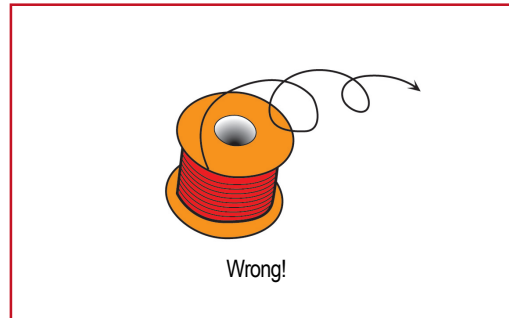
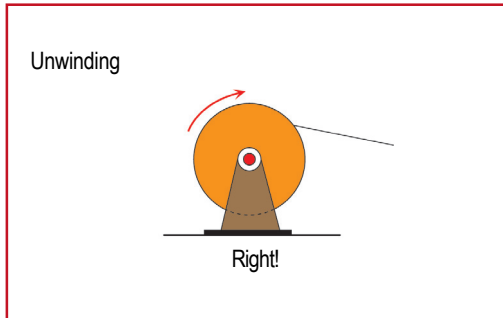
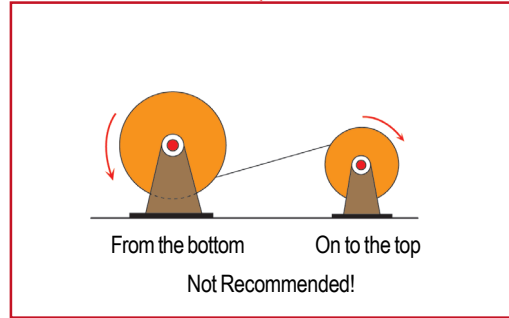


How to Handle Cable Reels (Continued)

YES



NO



Coursetiesing is not strictly necessary.

Prilling the cable this way causes kinking and possible damage.